



ADM-5842AX

Waterproof 42-inch KVM Extender Integrated LCD Display Monitor

Features

- 42-inch LCD Display, 1920 x 1080 resolutions
- 5-Wire Resistive Touch Screen
- Waterproof Stainless-Steel Enclosure
- Enclosure meets IP65 / NEMA 4X requirements

Integrated VGA & RS-232 Extender Option:

- Video signal transmission length up to 1,000 ft (330m) over CAT5e cable
- Adjustable equalization and gain control
- De-skew compensation available for RGB delay control
- 24VDC Input

Integrated HDMI & USB Extender Option:

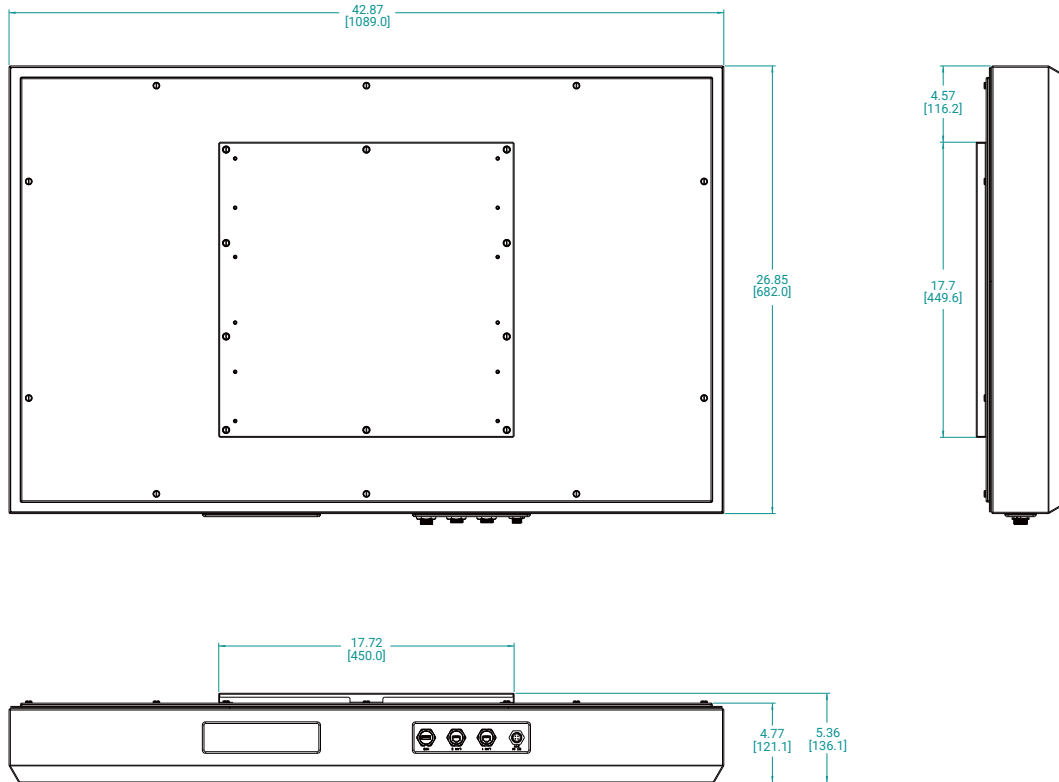
- Single CAT6 cable connection to KVM Transmitter
- True one-cable solution up to 100 meters CAT6 cable
- Built-in a 2-port USB 2.0 hub to support multiple USB devices.
- Built-in a 1-port 100BaseT Ethernet pass-through
- 24VDC Input

Specifications

Model Name	ADM-5842AX
LCD Display	
Display Size (Diagonal)	42"
Max Resolution	1920 x 1080
Backlight Lifetime (Hours)	50,000 hours
Visual Characteristics	
Colors	1073 million
Aspect Ratio	16:9
Viewing Angle (V/H)	178° / 178°
Contrast Ratio	4000:1
Brightness	500 nits
Input Interface	
VGA	Via VGA Transmitter
DVI	N/A
HDMI	Via HDMI Transmitter
Display Port	N/A
CVBS	N/A
YPbPr	N/A
Touchscreen	
Technology	Infrared
Interface	RS-232 Via VGA Transmitter / USB Via HDMI Transmitter
Driver	Win XP, Win 7, Win10
Power/Thermal Specs	
Power Requirement (Max)	24VDC / 6.83A
Power Consumption (Max)	164 W
Recommended Power Supply	234 W
Heat Dissipation	559 BTU/hr
Physical Information	
Mounting	VESA Mount / Wall Mount
Net Weight	110 Lbs/ 50 kg
Dimension (W x H x D)	42.87 x 27.29 x 5.38 inch 1089.0 x 693.05 x 136.1 mm
Recommended Cutout Dimension (WxH)	N/A
Environmental	
Operating Temperature	0 to 50°C (32 to 122°F)
Storage Temperature	-20 to 60°C (-4 to 140°F)
Humidity	0% to 95% non-condensing
Rating	Meets NEMA 4X
Certification	UL508

Dimension Drawing

Model Name: ADM-5842AX
 Size Unit: inch(mm)



Ordering Information

Item	ADM-5842AX-004	ADM-5842AX-Z04
LCD Display	42" LCD / 1920 x 1080	42" LCD / 1920 x 1080
Touch Screen	IR	No Touch
Enclosure	Stainless Steel	Stainless Steel
Extender Video Input	VGA via VGA Transmitter	VGA via VGA Transmitter
Power Supply	24VDC	24VDC

Item	ADM-5842AX-00A	ADM-5842AX-Z0A
LCD Display	42" LCD / 1920 x 1080	42" LCD / 1920 x 1080
Touch Screen	IR	No Touch
Enclosure	Stainless Steel	Stainless Steel
Extender Video Input	HDMI via HDMI Transmitter	HDMI via HDMI Transmitter
Power Supply	24VDC	24VDC